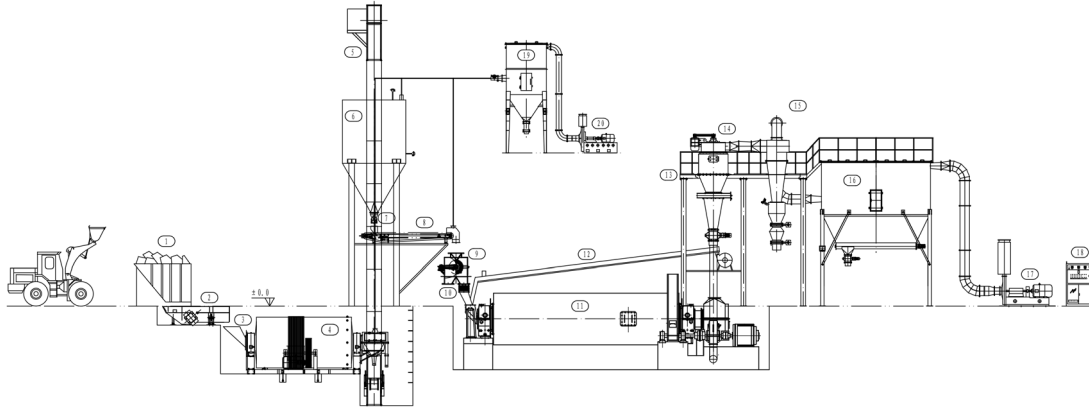




球磨机配立式分级机生产线

Ball Mill & Vertical Classifier Production Line



- 1、原矿仓 2、低矮式振动给料机 3、进料斗 4、制砂机 5、斗式提升机 6、原料仓 7、电动弧门 8、皮带秤 9、磁选机 10、格栅除铁器
- 11、球磨机 12、回料斜槽 13、设备平台 14、分级机 15、旋风收集器 16、脉冲除尘器 17、高压引风机 18、电控系统 19、中央除尘器
- 20、除尘引风机

主要特点 (Characteristics):

◆ 理论加实践优化系统配置，最低限度降低能耗，系统各个粉尘点的科学除尘设计，有效控制粉尘外溢，符合国家环保要求。

◆ 国际标准生产线，根据客户的不同要求，定制化设计生产制造，设备运行稳定可靠。

◆ 理论加实践优化系统配置，最低限度降低能耗，系统各个粉尘点的科学除尘设计，有效控制粉尘外溢，符合国家环保要求。设备操作简便，可根据要求设计 PLC 自动化控制，从研磨→分级→包装，全程自动控制，降低劳动强度，节约生产成本。

◆ 分级叶轮叶片采用高分子耐磨材料，有效解决了分级叶轮的磨损难题。

◆ 整个生产工艺流程进行超纯耐磨防护，根据生产条件的差异，球磨机衬可选配陶瓷衬或石英衬，磨介可选用陶瓷球或石英球，整个分级系统内部采用陶瓷片防护，从而使整个生产过程不接触金属，保证了产品纯度同时延长了设备使用寿命。

◆ Its system and configure are optimized by theory and practice to decrease power consumption furthest. The dust collector in the production line are designed superiorly which can avoid dust leak and accord with government's policy.

◆ Its international standard production line. And we can design and produce it according to customer's detailed requirements. The whole production line works steady and reliable.

◆ It can be operated easily. And it can be designed as PLC automatically controlling, from grind to classifier to pack, the whole process is automatically controlled to reduce labor to save cost.

◆ The vanes of classify impeller are made of macromolecule wear resistant material which solves the hard problem of abrasion of classify impeller.

◆ The whole production process was going on with advanced wear resistant defending. The inner layer of ball mill can be made of ceramic or quartz. And choose ceramic ball or quartz ball as grind medium. The whole classify system takes potsherd defending so that the whole production don't touch metal to guarantee the product's purity and prolong the equipments' service time.

主要特点 (Characteristics):

◆ 软质材料：方解石、大理石、石灰石、重晶石、石膏、矿渣等。

◆ 硬质材料：石英、长石、碳化硅、棕刚玉、莫来石、超细水泥、锆英砂等。

◆ Soft material: calcite, marble, limestone, barite, gypsum, slag etc.

◆ Hard material: quartz, felspa, carborundum, corundum, fine cement etc.

技术参数 (Technical Parameter):

项 目 Item	型 号 Model						
	HMF-50	HMF-100	HMF-200	HMF-400	HMF-600	HMF-800	HMF-1200
球磨机型号 Ball mill model	Φ1200X4500	Φ1500X5700	Φ1830X7000	Φ2200X7000	Φ2400X7500	Φ3000X9000	Φ3500X13000
分级机型号 Classifier mol	HFZ050	HFZ100	HFZ200	HFZ400	HFZ600	HFZ800	HFZ1200
生产线总功率 (kW) General power of the whole	≤ 75	≤ 145	≤ 225	≤ 345	≤ 550	≤ 885	≤ 1650
处理量 (Kg/h) Processing capacity (Kg/h)	800-1000	1200-1800	3500-4000	5000-6000	7000-8000	10000-20000	15000-30000
产量 (kg/h) Production capacity (Kg/h)	480-600	720-1080	2100-2400	3000-3600	4200-4800	6000-15000	10000-20000
细度 (um) Particle size	5 ~ 50	5-50	5-50	5-50	5-50	5-50	5-50
分级精度 Classifying granularity	D97	D97	D97	D97	D97	D97	D97
过滤面积 (m ²) Fliter area	≥ 50	≥ 70	≥ 100	≥ 120	≥ 200	≥ 360	≥ 440
粉尘浓度 (mg/m ³) Thickness of dust	≤ 40	≤ 40	≤ 40	≤ 40	≤ 40	≤ 40	≤ 40
工作制 Operation	连续 continuous						

注：1、以上参数是以加工 325 目石英砂为例 (All of the parameters above are according to 325 mesh quartz)。

2、由于各地物料有所不同，以上参数仅供参考 (As different material from different places, the parameter is just for your reference)。

流程图 (Processing Chart):

